

PART NO.

**30072-S**

# Viper S SERIES 'GRAVITY FEED' Patent Pending 1000 ANCHOR WINCH BUNDLE

The All New Free Fall Setting New Standards In Anchoring!

The New Viper S Series (patent pending) GRAVITY FEED was developed by Bell Marine. After 3 years of R&D and 2 years of field testing the Viper Gravity Feed has now proven itself to be a serious contender in the high performance anchoring arena. Our home grown mechanical freefall gives you the peace of mind, reliability, and performance not found in free spooling winches. The all-new all-stainless steel Gravity Feed was designed without any additional electronics, wiring or solenoids that can be the downfall in harsh boating environments.

The new drop speed will ensure your anchor hits the bottom exactly where you want it, when you want it.

At the touch of a switch, the Viper Gravity Feed winch controls the drop speed to ensure no over spooling (can be set to match the size of your anchor), yet giving you ultimate speed and allowing you to get on to your GPS mark, **FIRST TIME, EVERY TIME !!**

If you are anchoring in deep water the new Gravity Feed winch is for you - its quiet and efficient operation also conserves your battery and runs at up to 4 times faster than some drum winches using our mechanical patented design.

If you require high performance anchoring then this is the one for you.

## You Can't Avoid Gravity!

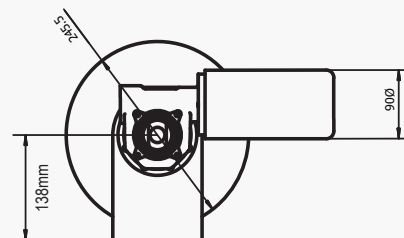
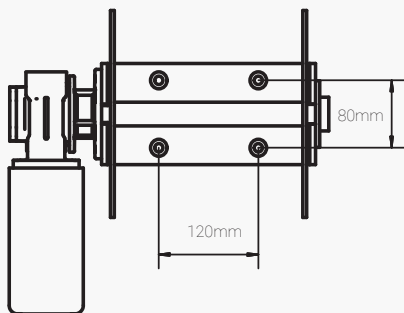
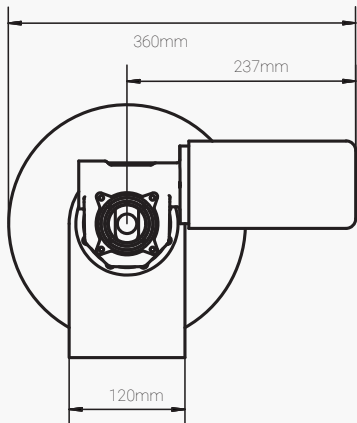
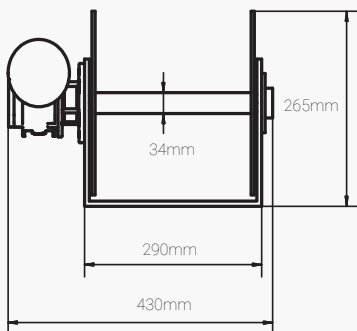
**138** Mtrs  
Per Minute  
Fall Rate

**Freefall Winch**



**5**  
YEAR  
WARRANTY

**TECHNICAL SPECIFICATIONS**



**INCLUDED IN THE VIPER "S" SERIES GRAVITY FEED 1000 BUNDLE:**

- VIPER S SERIES GRAVITY FEED 1000 ELECTRIC DRUM ANCHOR WINCH **30072-6S**
- VIPER S SERIES STAINLESS STEEL WORM DRIVE MARINE GEARBOX
- SUPPLIED WITH 1 MTR 3 B&S POWER LEADS & JOINING CONNECTORS
- PRESSURE TESTED & SEALED
- 90MTRS OF 6MM DOUBLE BRAID ROPE **30032**
- SPLICED TO 8 MTRS OF 6MM GALVANISED SHORT LINK ANCHOR CHAIN
- VIPER PRO SERIES ANCHOR SWIVEL SMALL **30001**
- VIPER DELUXE ANCHOR ROLLER SMALL **30009**
- 200AMP REVERSING SOLENOID **30020**
- ELITE SERIES STAINLESS STEEL UP/DOWN SWITCHES **90109**
- 100 AMP FLUSH MOUNT CIRCUIT BREAKER WITH RUBBER SEAL **30046**

**\*INCLUDED at No Extra Cost\***



ALL REQUIRED  
INSTALLATION  
HARDWARE

**PACKAGING:**

WINCH BOX: 46 X 45 X 35 CM 23KG  
ROPE KIT: 27 X 27 X 25 CM 9KG

**WINCH BUNDLES:**

<b>30072-6S</b>	VIPER GRAVITY FEED S SERIES WINCH BUNDLE 98MTRS 6MM B/D ROPE/CHAIN	RRP \$2095
<b>30072-5S</b>	VIPER GRAVITY FEED S SERIES WINCH BUNDLE 183MTRS 5MM ROPE/CHAIN	RRP \$2245

**OPTIONS:**

<b>30021-A</b>	ALLOY FITMENT KIT FOR ALUMINIUM BOAT INSTALLATIONS	RRP \$35
<b>30036</b>	BLACK 10MTRS OF CHAIN SOCK TO SUIT 6MM SHORT LINK ANCHOR CHAIN	RRP \$39
<b>30036G</b>	FLURO GREEN 10MTRS OF CHAIN SOCK TO SUIT 6MM SHORT LINK ANCHOR CHAIN	RRP \$39
<b>30023</b>	316 S/S CAST HAWSE PIPE FOR TRICKY INSTALLATIONS	RRP \$139
<b>30006</b>	SINGLE ROLLER VIPER BOW ROLLER SELF-LAUNCHING	RRP \$239
<b>30016</b>	DELUXE 3 ROLLER VIPER BOW ROLLER- SELF LAUNCHING	RRP \$329
<b>30034</b>	CUSTOM MADE MARINE WIRING LOOM BOATS UPTO 6MTRS	RRP \$259
<b>30035</b>	CUSTOM MADE MARINE WIRING LOOM BOATS UPTO 8MTRS	RRP \$299
<b>30061</b>	CUSTOM MADE WIRING LOOM MADE TO YOUR SPECIFICATIONS SUIT ANY LENGTH BOAT	RRP POA
<b>30073</b>	OPTIONAL WIRELESS REMOTE CONTROL FOR VIPER WINCHES - 30 METRE RANGE	RRP \$ 39

**5MM STAINLESS STEEL SANDWICH PLATE  
ALL FIXING HARDWARE + INSTALLATION NOTES & WIRING DIAGRAM**

MAX FALL RATE: 138MTRS PER MINUTE  
MAX RETRIEVAL RATE: 45MTRS PER MINUTE  
SUIT VESSEL LENGTH: 5.7 MTRS +  
WEIGHT: 23KGS