

PART NO.
30038-S

Viper S SERIES 'MICRO' 1000 ANCHOR WINCH BUNDLE

The All-New All-Stainless Steel Submersible Anchor Winch!

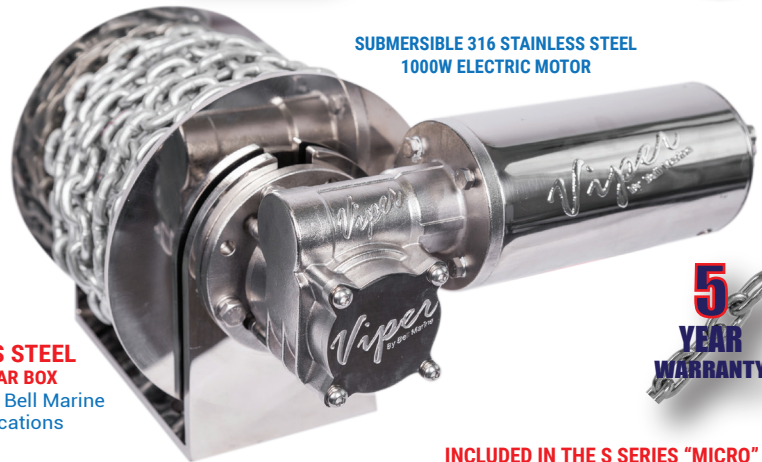
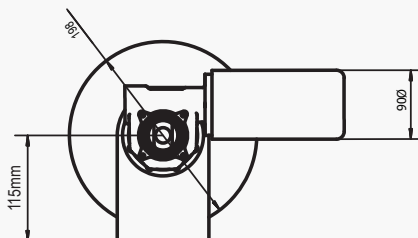
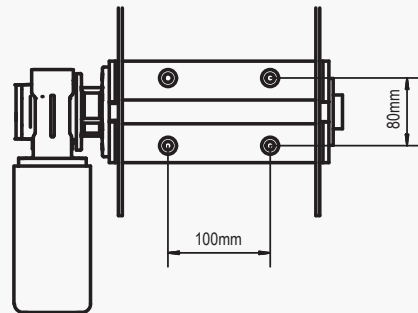
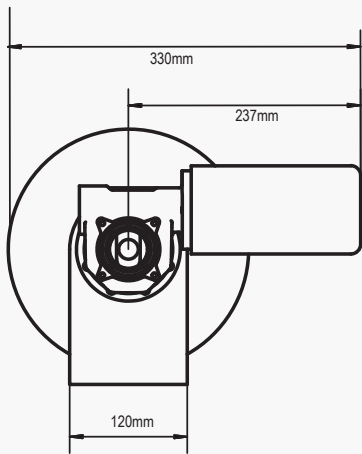
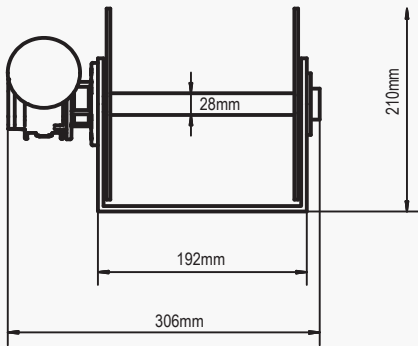
Don't be fooled by the name "MICRO" or by its size, this is one of the world's most powerful electric drum winches for its size and was designed to fit into bow riders, tinnies, walk arounds and any boat with restricted anchor well space. It still has our famous Viper 1000 submersible electric motor coupled with stainless steel marine gearbox, solid 28mm stainless steel main shaft with 3 support bearings and comes with our iron clad 5-year Viper warranty. Constructed from 8mm plate 316 marine grade stainless steel (hand polished to a mirror finish) The MICRO's drum rotates at a fall rate of 45mtrs per minute. Now with emergency manual release incase of power loss. Suits vessels from 4mtr right up to 8mtr.

Size Does Matter!

More Power, More Torque, Smaller Package



MICRO DRUM WINCH DIMENSIONS



SUBMERSIBLE 316 STAINLESS STEEL
1000W ELECTRIC MOTOR

**316 STAINLESS STEEL
WORM DRIVE GEAR BOX**
Developed & Built by Bell Marine
for Marine applications



INCLUDED IN THE S SERIES "MICRO" BUNDLE:

VIPER S 1000 "MICRO" SUBMERSIBLE ELECTRIC DRUM ANCHOR WINCH **30038-S**

VIPER S SERIES STAINLESS STEEL WORM DRIVE MARINE GEARBOX

SUPPLIED WITH 1 MTR OF 3 B&S POWER LEADS & JOINING CONNECTORS
PRESSURE TESTED & SEALED

60MTRS OF 6MM DOUBLE BRAID PREMIUM ROPE **30045**

SPLICED TO 6 MTRS OF 6MM GALVANISED SHORT LINK ANCHOR CHAIN

VIPER PRO SERIES ANCHOR SWIVEL SMALL **30001**

VIPER DELUXE ANCHOR ROLLER SMALL **30009**

200AMP REVERSING SOLENOID **30020**

LED ILLUMINATED MARINE ROCKER SWITCH **90021**

VIPER LASER ETCHED LED ILLUMINATED SWITCH COVER **90046**

100 AMP FLUSH MOUNT CIRCUIT BREAKER WITH RUBBER SEAL **30046**

SINGLE LED SWITCH STAINLESS STEEL FACE PLATE **30051**

COMBO LED SWITCH & CIRCUIT BREAKER S/S FACE PLATE **30052**

5MM STAINLESS STEEL SANDWICH PLATE

ALL FIXING HARDWARE + INSTALLATION NOTES & WIRING DIAGRAM

MAX FALL RATE: 45MTRS PER MINUTE

MAX RETRIEVAL RATE: 40MTRS PER MINUTE

SUIT VESSEL LENGTH: 4 MTRS +

WEIGHT: 15KGS

PACKAGING:

WINCH BOX: 43 X 42 X 31CM 20KG

ROPE KIT: 23 X 23 X 21CM 6KG

WINCH BUNDLES:

30038-6S VIPER S SERIES 'MICRO' S/S MARINE GEARBOX BUNDLE 60MTRS D/BRAID ROPE

RRP \$1489

30038-4S VIPER S SERIES 'MICRO' S/S MARINE GEARBOX BUNDLE 100MTRS 4MM ROPE

RRP \$1595

30038-A ALLOY FITMENT KIT FOR ALL ALUMINIUM BOAT INSTALLATIONS

OPTIONS:

RRP \$ 30

30053 BLACK 8MTRS OF CHAIN SOCK TO SUIT 6MM SHORT LINK ANCHOR CHAIN

RRP \$ 34

30053G FLURO GREEN 8MTRS OF CHAIN SOCK TO SUIT 6MM SHORT LINK ANCHOR CHAIN

RRP \$ 34

30023 SMALL HAWSE PIPE 316 S/S CAST FOR TRICKY INSTALLATIONS

RRP \$139

30006 SINGLE ROLLER VIPER BOW ROLLER SELF-LAUNCHING WITH SAFETY HARNESS

RRP \$239

30016 DELUXE 3 ROLLER VIPER BOW ROLLER- SELF LAUNCHING WITH SFETY HARNESS

RRP \$329

30034 FACTORY MADE MARINE WIRING LOOM BOATS UP TO 6MTRS

RRP \$259

30035 FACTORY MADE MARINE WIRING LOOM BOATS UP TO 8MTRS

RRP \$299

30061 CUSTOM MADE WIRING LOOM MADE TO YOUR SPECIFICATIONS SUIT ANY LENGTH BOAT

RRP POA

30073 OPTIONAL WIRELESS REMOTE CONTROL FOR ALL VIPER WINCHES - 30 METRE RANGE

RRP \$ 39

bellmarine.com.au