

ELECTRIC ANCHOR WINCH BUNDLES

WORLD CLASS STAINLESS STEEL CHANDLERY AND BOATING ACCESSORIES

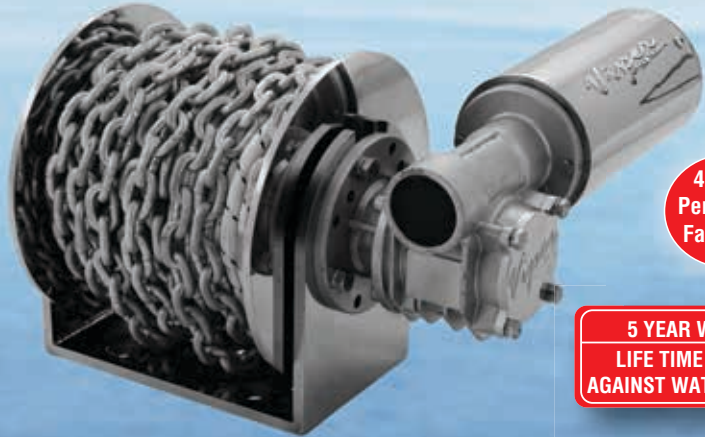
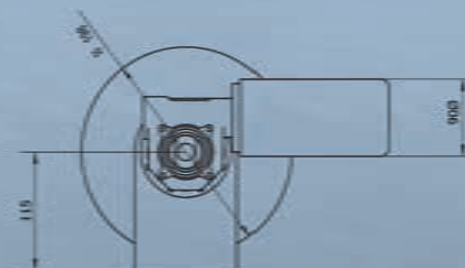
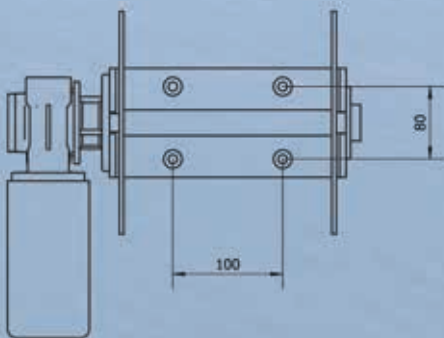
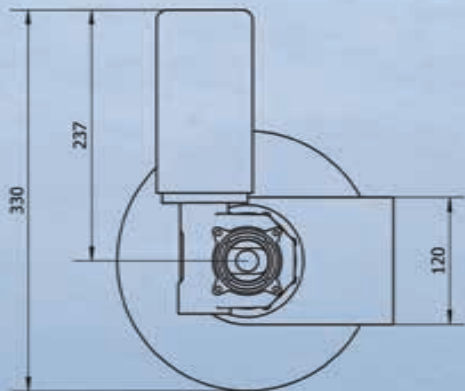
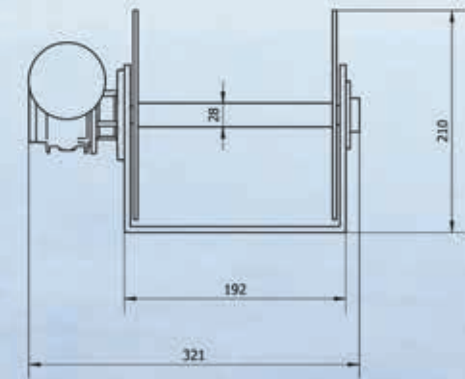
PAGE 2

Viper PRO SERIES II 1000"MICRO" ELECTRIC ANCHOR WINCH BUNDLE

Don't be fooled by the name "MICRO" or by its size, this is one of the world's most powerful electric drum winch for its size and was designed to fit into bow riders, tinnies, walk arounds and any boat with restricted anchor well space. It still has our famous Viper 1000W commercial electric motor (stainless steel), solid 28mm stainless steel main shaft with 3 support bearings and comes with a life time guarantee against water intrusion and our iron clad 5-year Viper warranty. Constructed from 8mm plate 316 marine grade stainless steel (hand polished to a mirror finish) & the MICRO's drum rotates at a fall rate of 40mtrs per minute. Suits vessels from 4mtr right up to 8mtr

SIZE DOES MATTER! More Power, More Torque, Smaller Package

TECHNICAL SPECIFICATIONS



40 Mtrs
Per Minute
Fall Rate!

5 YEAR WARRANTY
LIFE TIME WARRANTY
AGAINST WATER INTRUSION

P/N 30038-6 VIPER PRO SERIES II "MICRO" BUNDLE 60MTRS D/BRAID ROPE RRP \$1445.
P/N 30038-4 VIPER PRO SERIES II "MICRO" BUNDLE 100MTRS HI SPEC 3000 ROPE RRP \$1634.

INCLUDED IN THE MICRO BUNDLE:

- VIPER PRO SERIES II "MICRO" 1000 ELECTRIC DRUM ANCHOR WINCH - 30038
- SUPPLIED WITH 1 MTR OF 3 B&S POWER LEADS & JOINING CONNECTORS
- PRESSURE TESTED & SEALED
- 60MTRS OF 6MM DOUBLE BRAID PREMIUM ROPE - 30045
- SPLICED TO 6 MTRS OF 6MM GALVANISED SHORT LINK ANCHOR CHAIN
- VIPER PRO SERIES ANCHOR SWIVEL SMALL - 30001
- VIPER DELUXE ANCHOR ROLLER SMALL - 30009
- 200AMP REVERSING SOLENOID - 30020
- LED ILLUMINATED MARINE ROCKER SWITCH - 90021
- VIPER LASER ETCHED LED ILLUMINATED SWITCH COVER - 90046
- 100 AMP FLUSH MOUNT CIRCUIT BREAKER WITH RUBBER SEAL - 30046
- SINGLE LED SWITCH STAINLESS STEEL FACE PLATE - 30051
- COMBO LED SWITCH & CIRCUIT BREAKER S/S FACE PLATE - 30052
- 5MM STAINLESS STEEL SANDWICH PLATE -
- ALL FIXING HARDWARE -
- INSTALLATION NOTES & WIRING DIAGRAM -



MAX FALL RATE: 40MTRS PER MINUTE
MAX RETRIEVAL RATE: 36MTRS PER MINUTE
SUIT VESSEL LENGTH: 4 MTRS +
MAX LOAD: 180KGS
WEIGHT: 13KGS

PACKAGING

WINCH BOX: 48 X 43 X 33 CM 19KG
ROPE KIT: 25 X 25 X 25 CM 6KG

OPTION'S

- 30038-A ALLOY FITMENT KIT FOR ALL ALUMINIUM BOAT INSTALLATIONS RRP \$ 30.
- 30053 8MTRS OF CHAIN SOCK TO SUIT 6MM SHORT LINK CHAIN RRP \$ 34.
- 30023 SMALL ROUND HAWSE PIPE FOR TRICKY INSTALLATIONS RRP \$139.
- 30056 UPGRADE 4MM HI SPEC 3000 ROPE & CHAIN KIT- 100MTRS RRP \$189.
- 30006 SINGLE ROLLER VIPER BOW ROLLER SELF-LAUNCHING RRP \$259.
- 30016 DELUXE 3 ROLLER VIPER BOW ROLLER- SELF LAUNCHING RRP \$399.
- 30034 CUSTOM MADE MARINE WIRING LOOM BOATS UPTO 6MTRS RRP \$259.
- 30035 CUSTOM MADE MARINE WIRING LOOM BOATS UPTO 8MTRS RRP \$299.